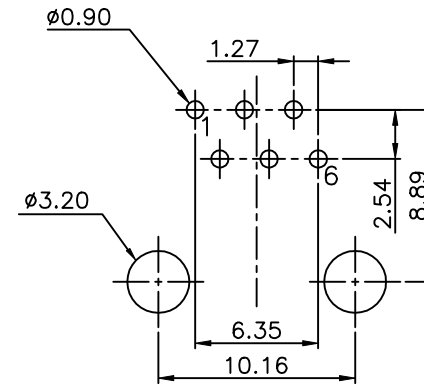
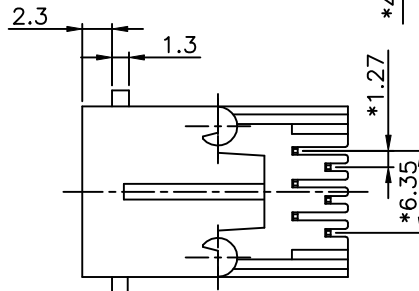
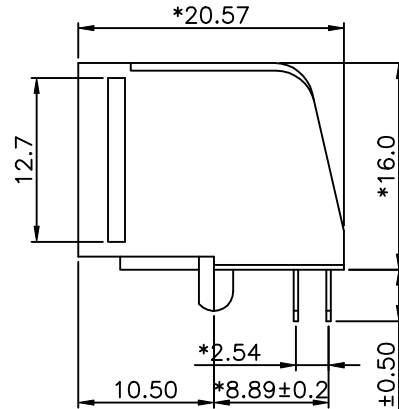
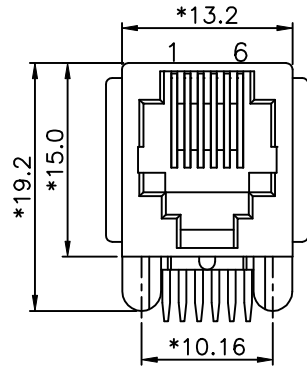


REVISION RECORD				
REV	ECO	DESCRIPTION	DRFT	CHKD



PC Board Layout  
Component Side Shown

**NOTES:**

**ELECTRICAL:**

- VOLTAGE RATING : 125 VAC RMS MIN.
- CURRENT RATING : 1.5 AMP MIN.
- CONTACT RESISTANCE : 30 MILLIOHMS MAX.
- INSULATION RESISTANCE: 1000 MEGOHMS MIN @ 500 VDC.
- DIELECTRIC STRENGTH : 1000 VAC RMS 60Hz, 1MIN.

**MECHANICAL:**

- HOUSING MATERIAL : GLASS FILLED POLYESTER UL94V-0.
- CONTACT MATERIAL : PHOSPHOR BRONZE t=0.35mm.
- PLATING : 1: CONTACT AREA- SELECTIVE GOLD PLATING.  
2: TAILS- TIN PLATING OVER NICKEL.
- OPERATING LIFE : 750 CYCLES MIN.
- PCB RETENTION PRE-SOLDER : 1 LB MIN.
- PCB RETENTION POST-SOLDER: 10 LBS MIN.

**ENVIRONMENTAL:**

- STORAGE : -40°C TO +85°C.
- OPERATION: 0°C TO 70°C.
- WAVE SOLDER TEMPERATURE : 230°C TO 250°C 3~5 SECOND.

MATES WITH MODULAR PLUG CONFORMING TO

FCC PART 68, SUBPART F.

CUL FILE NO. E163191

PART NUMBER: E576X-0000XX-L

- |      |                  |           |
|------|------------------|-----------|
| 2-2C | 1- 3u"           | 2- 6u"    |
| 4-4C | 3-15u"           | 4-30u"    |
| 6-6C | 5-50u"           | 6-Pd 20u" |
|      | 1-W/ PANEL STOP  |           |
|      | 2-W/O PANEL STOP |           |

DETACHED LISTS	MM (INCH)		DFTO ANKUE	DATE 07/13/05	FULL RISE ELECTRONIC CO., LTD	
	TOLERANCES EXCEPT AS NOTED		CHKDSAMMY	DATE 2005/07/13		
			MFO	DATE	TITLE SIDE ENTRY PCB JACK	
			APPVLLUSHENG	DATE 2005/07/15		
		MATERIAL :		DRAWING NO. GE573007-LC		
ANGLES ± 0.5		QT'Y :		/PART NO. SEE NOTE		
THIRD ANGLE PROJECTION		FINISH :		SIZE A3	REV 0	
		SCALE :		DO NOT SCALE DRAWING		
				SHEET OF		